



Powered by  
**Lykwell**

# EVMP1

## Introducing the EVMP1 Level 2 Charging Station

MaxLite is excited to introduce EVMax™, a comprehensive line up of EVSE solutions as part of our commitment to providing sustainable eco-friendly charging solutions. Soon to launch EVMax+ features a vertically integrated BAA compliant Level 2 charger that will address the needs of various industry verticals. Designed to enable rapid deployment and maximize uptime, the hardware is built with manufacturing, installation, operation, maintenance, and support in mind. With the revolutionary EZ-Swap Faceplate™ and the only lifetime guarantee in the industry, the EVMax+ truly empowers EV charging.



[www.evmax.maxlite.com](http://www.evmax.maxlite.com)

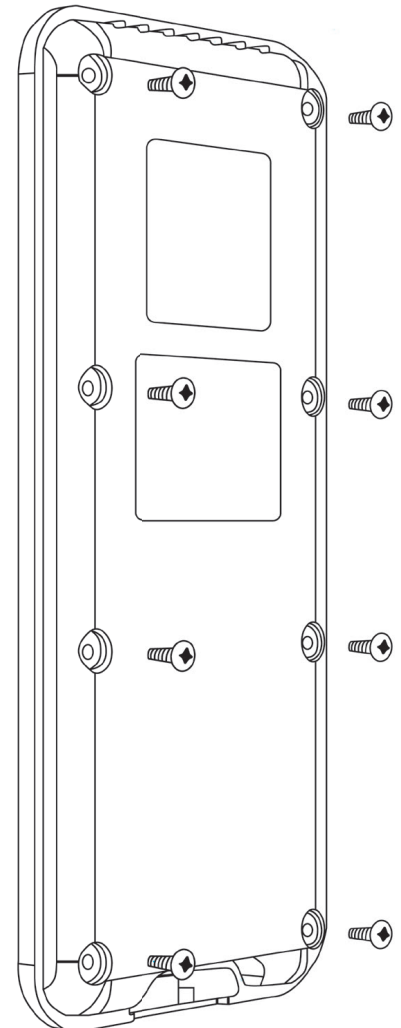
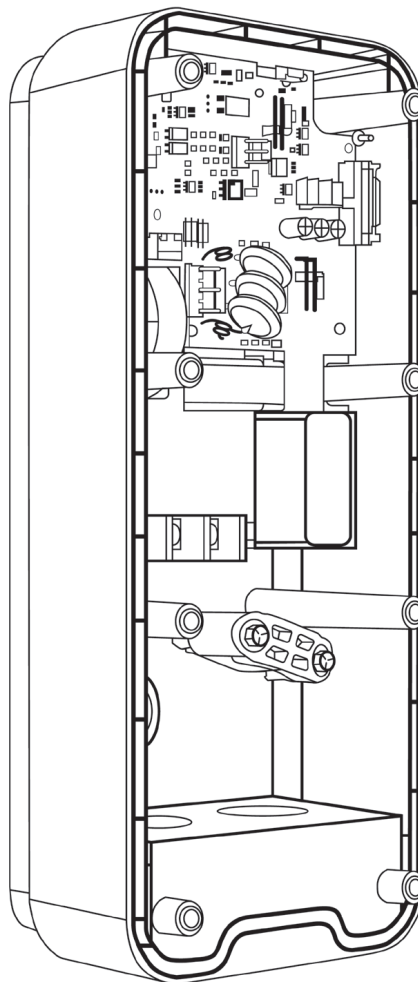
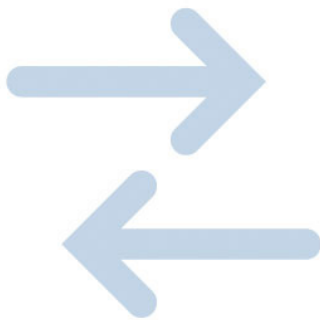
**MaxLite**  
A NEW WAVE OF LIGHT

## Easy Deployment

The 48A amperage selectable model was developed for easy installation and maintenance. Flexibility in mounting options, wiring, circuit, and power configurations, paired with customizable branding and local load management provides maximum versatility from this single charger. Once installed, simply remove the EZ-Swap Faceplate™, set to configuration mode, and you can wirelessly configure the EVMP1 using the on-board configuration app. Finally, connect to Lynkwell's Network and get visibility into revenue and connector status, track and manage energy usage, and more through Lynkwell's cloud-based dashboard.

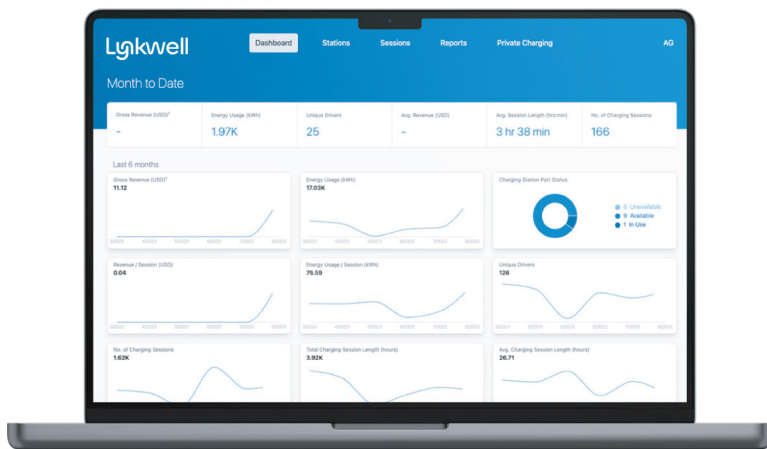
## Revolutionary EZ-Swap Faceplate™

Maximize uptime while minimizing effort; the EVMP1 EZ-Swap Faceplate™ provides quick access for customization, upgrading, or maintenance. No need for specialized tools, electrical work, delays, or downtime; remove the panel with just a screwdriver to make critical adjustments or future upgrades in minutes.



## Industry-Leading Software

EVMax+, provides software, firmware, hardware, support & services under one roof for immediate integration and access to industry-leading functionality. Have total visibility into your charging equipment through our Site Host Portal. When your project demands more control, EVMax+ offers additional software solutions for comprehensive remote management of your commercial- or fleet-charging stations. Combining this management software with our 24/7 US-based support team and easy charging access for drivers via the Lynkwell Network means EVMax supports the entire EV charging lifecycle.



Powered by  
**Lynkwell™**

## Lifetime Warranty\*

EVMax+ provides the first and only lifetime warranty on a commercial EV charging station.

*\* Lifetime warranty applies with a PRO Level subscription to Lynkwell™. Standard two-year warranty applies to unconnected chargers.*





## Specifications: EVMP1-48 | (EVMP1-80 in 2024)

### Electrical

- Safety Rated to 48Amps Max. Adjustable Down to 12Amps.
- Rated Voltage 208 to 240 Volts AC @ 60Hz
- Charging Power @ 240V is 11.5kW Adjustable Down to 2.9kW
- Hardwire Lug Connection Through Back or Bottom of Unit
- 1% Energy Meter Accuracy

### Connector & Cable

- J1772 Type 1
- High-quality Flexible Cable
- 18ft or 25ft Options Available

### Networking & Communications

- Built-in Wi-Fi on EVMP1-48W & EVMP1-48C Units (2.4GHz 802.11 b/g/n)
- Built-in Cellular on EVMP1-48C Units (LTE CAT.M1)
- Connect Up to 9 EVMP1-48W Units to 1 EVMP1-48C
- Over-the-air firmware updates are automatic when connected to Lynkwell's network. Requires one EVMP1-48C with cellular communication be installed
- Local Load Management
- OCPP 1.6. OCPP 2.0 in Development (2024)

### Environment

- Indoor & Outdoor Rated, NEMA 3R
- Operating Temperature: -22°F To 122°F (-30°C To 50°C)
- Storage Temperature: -22°F To 176°F (-30°C To 80°C)
- Humidity: 95% RH Non-Condensing

### Display & Indicators

- 2.7in (W) X 1.5in (H)
- Resolution 128 Pixel X 64 Pixel
- LEDs Provide Highly Visible EVSE Status Indicators

### Device Mounting

- Wall or Pedestal
- Bracket Dimensions 3.4in (W) X 8.75in (H) X 0.67in (D)
- Device Dimension 6.1in (W) X 14.1in (H) X 4.53in (D)

### Lifetime Warranty

EVMax+ provides the first and only lifetime warranty on a commercial EV charging station. Lifetime warranty applies with a PRO Level subscription to Lynkwell™. Standard two-year warranty applies to unconnected chargers

\* Certification Pending

## US-Based

Lynkwell provides all manufacturing, operations, service, and support out of the US. Products, packages, and offerings can comply with the Buy American Act and its associated funding opportunities. Speak to an associate for more information.

## Contact Information



844.623.1001



[www.evmax.maxlite.com](http://www.evmax.maxlite.com)



[evmax@maxlite.com](mailto:evmax@maxlite.com)